

CARPORT INSTALLATION MANUAL



SOLAR MOUNTS LLC



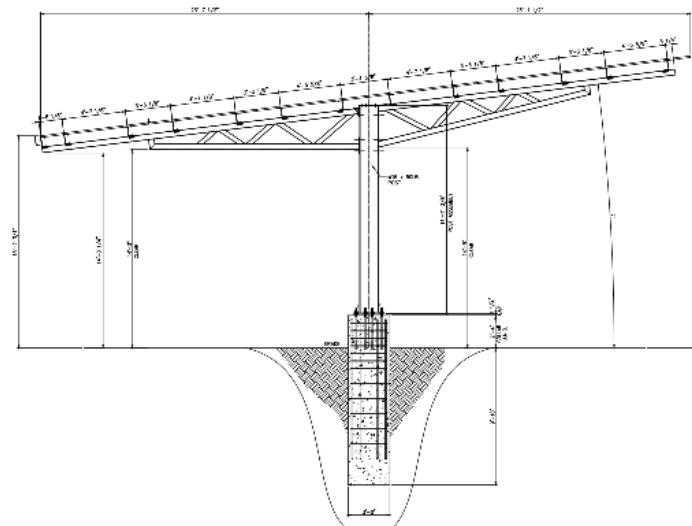
(844) 757 - 7225

**300 WOOLLEY DRIVE
MARSHALL, MICHIGAN 49068**

INFO@SOLARMOUNTS.COM

FOUNDATIONS – PIER FOOTING OPTION

- Find Center of Pier Foundation, with a 36" auger, drill 10-12' in depth (dependent on structural calculations and drawings)
- This can be formed and poured flush to grade, or raised up to average 24in using adjustable forming
- Calculations & Drawings call for PSI spec concrete





PIER FOOTING IMAGES

FOUNDATION – SPREAD FOOTING OPTION

Saw Cutting and Excavation

- Mark out spread footing size in parking lot, according to drawings
- Cut out existing asphalt or concrete
- Excavate to depth called out in calculations/drawings
- Fill the bottom 2” with crush stone, and compact

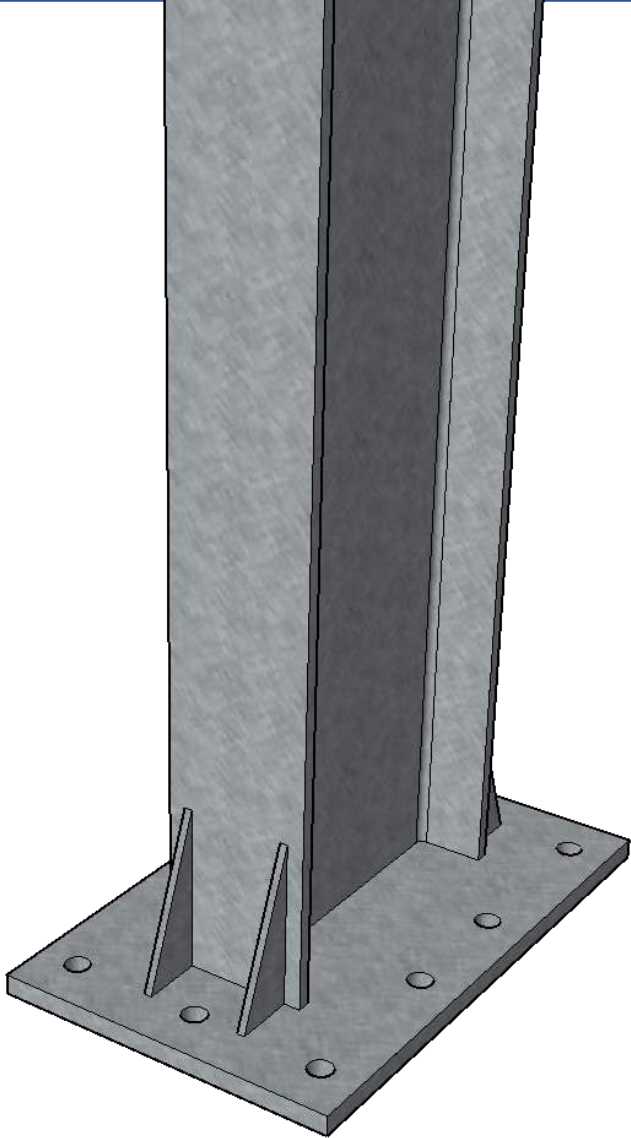
Rebar & Concrete

- Tie rebar matts together, with pier uprights in the center
- Drop rebar cage into hole
- Set framing over the sono tube
- Use template to hang anchor bolts down pier upright
- Fill spread footing and sono tube with concrete

SPREAD FOOTING IMAGES

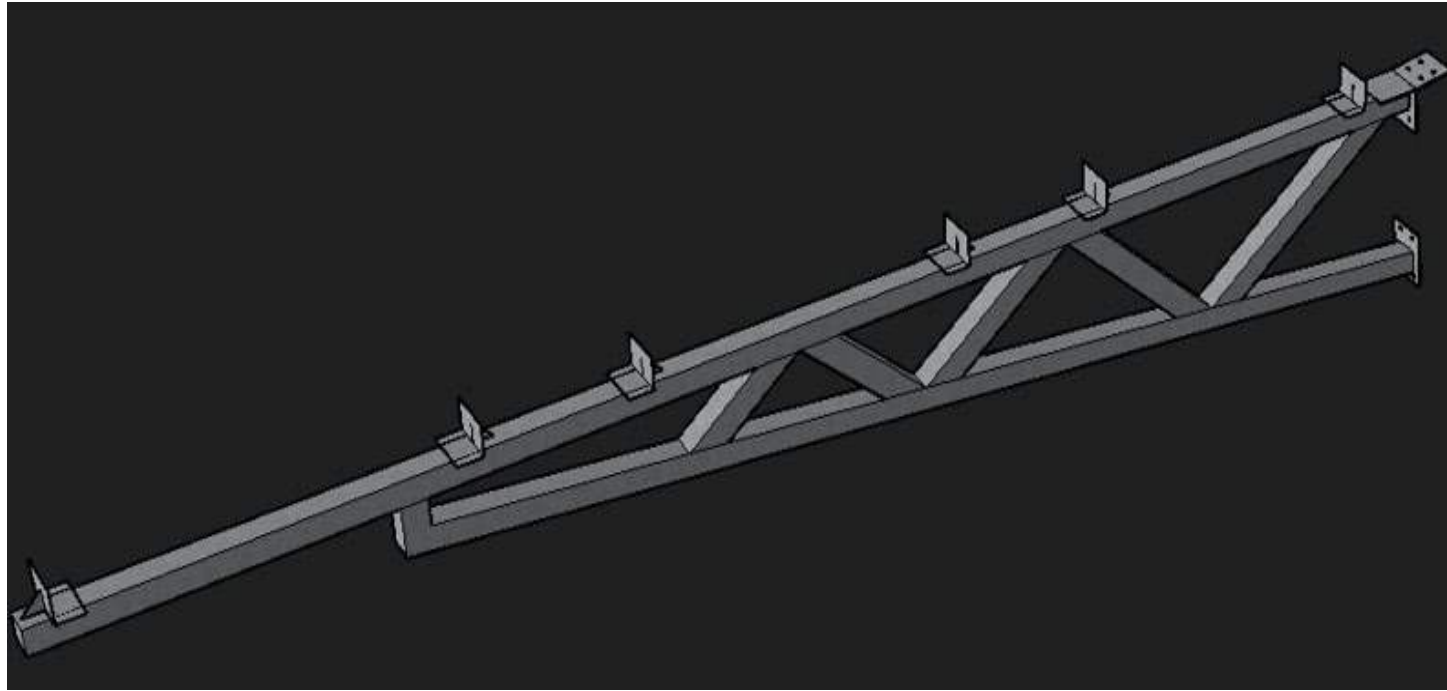


PLACING POST ON FOUNDATION



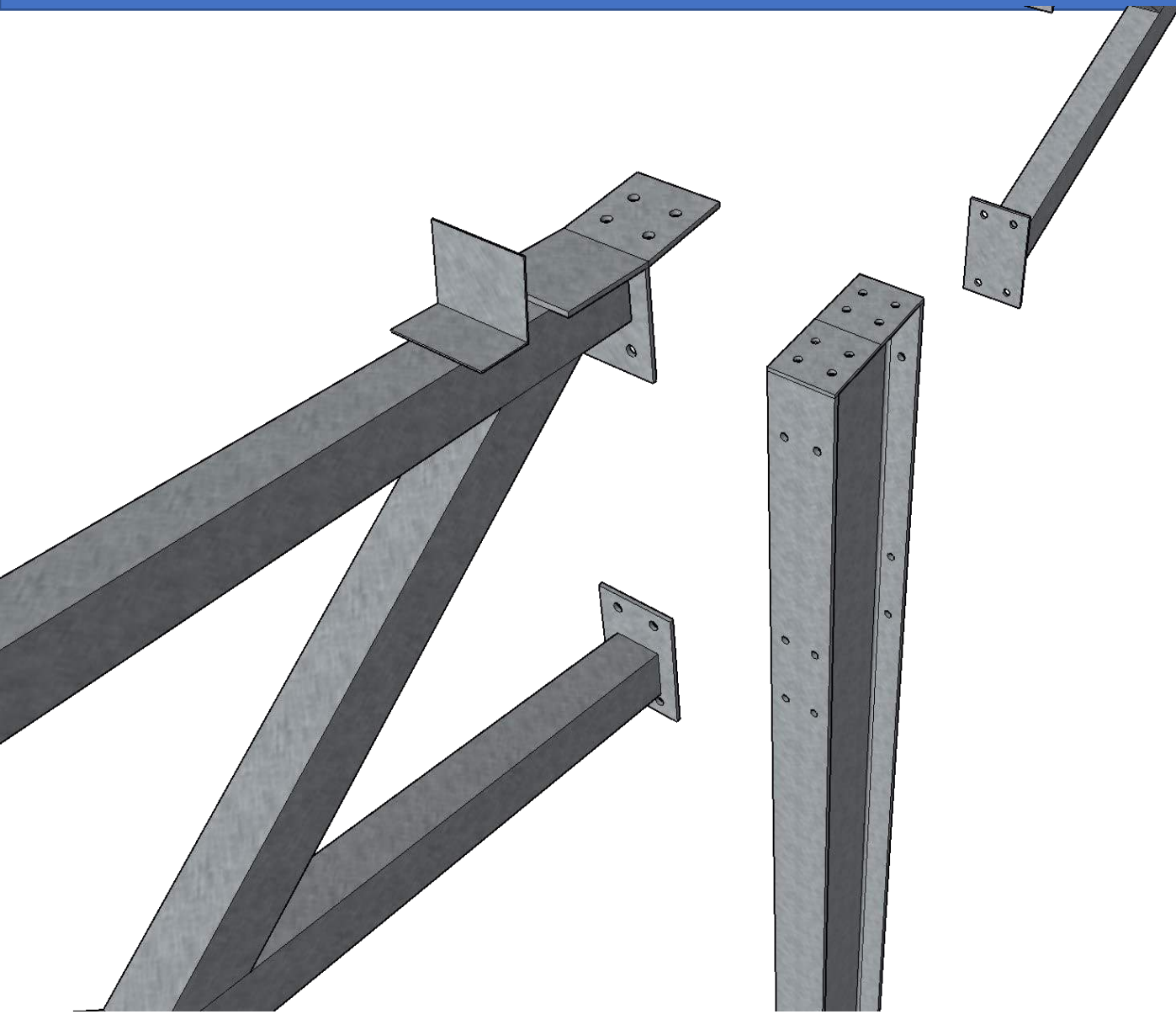
- Sling Post from top using I-Beam clamps
- Make sure level on anchor bolts
- Tighten top nuts snug

ADJUSTABLE L BRACKETS PLACEMENT



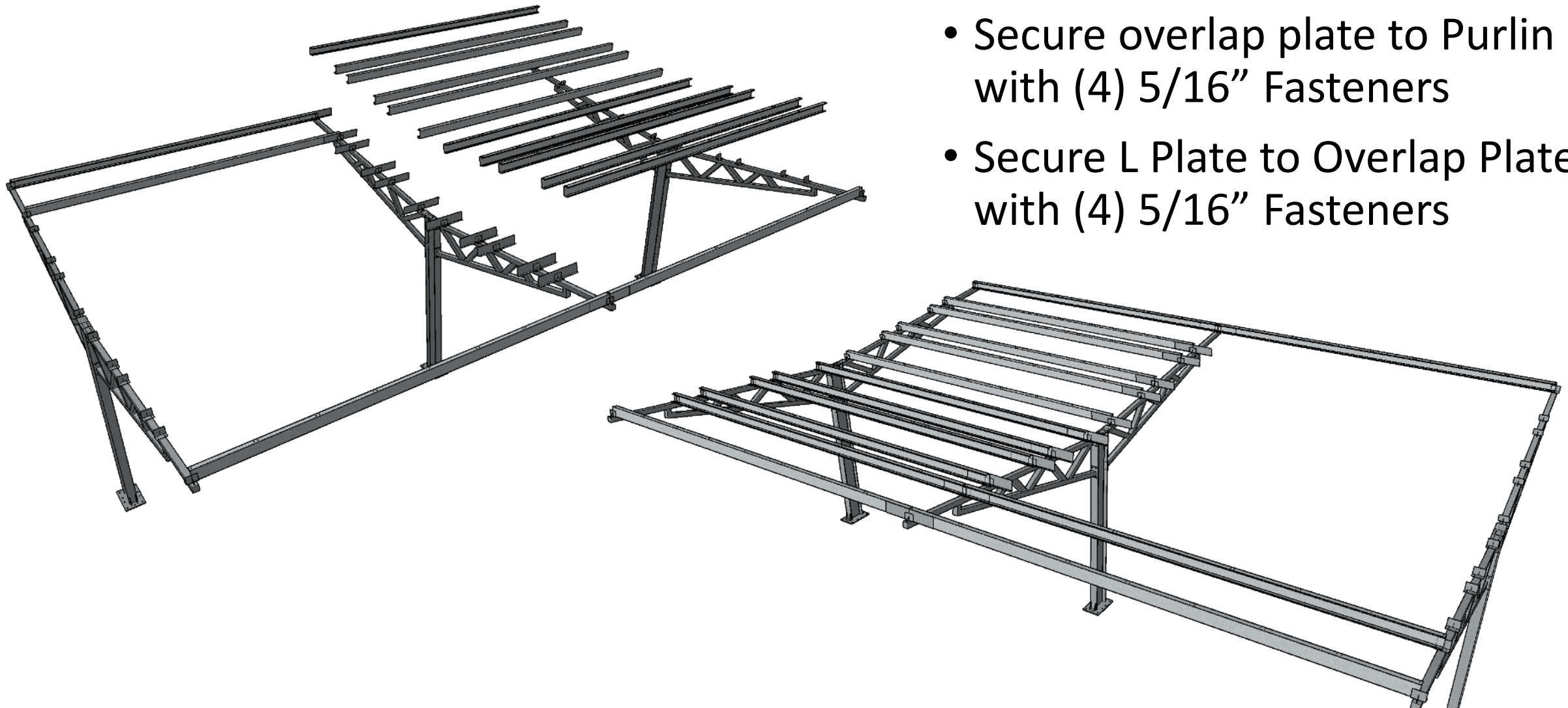
- On the drawing set, a side view is shown showing the distances necessary between L Brackets
- Bolt L-Brackets onto Truss using $\frac{1}{2}$ " x 7" Bolt, tightening to AISC snug tight + $\frac{1}{4}$ turn
- Also included: $\frac{1}{2}$ " Flat Washer, $\frac{1}{2}$ " Lock Washer, $\frac{1}{2}$ " Nut

ATTACHING TRUSS TO POST



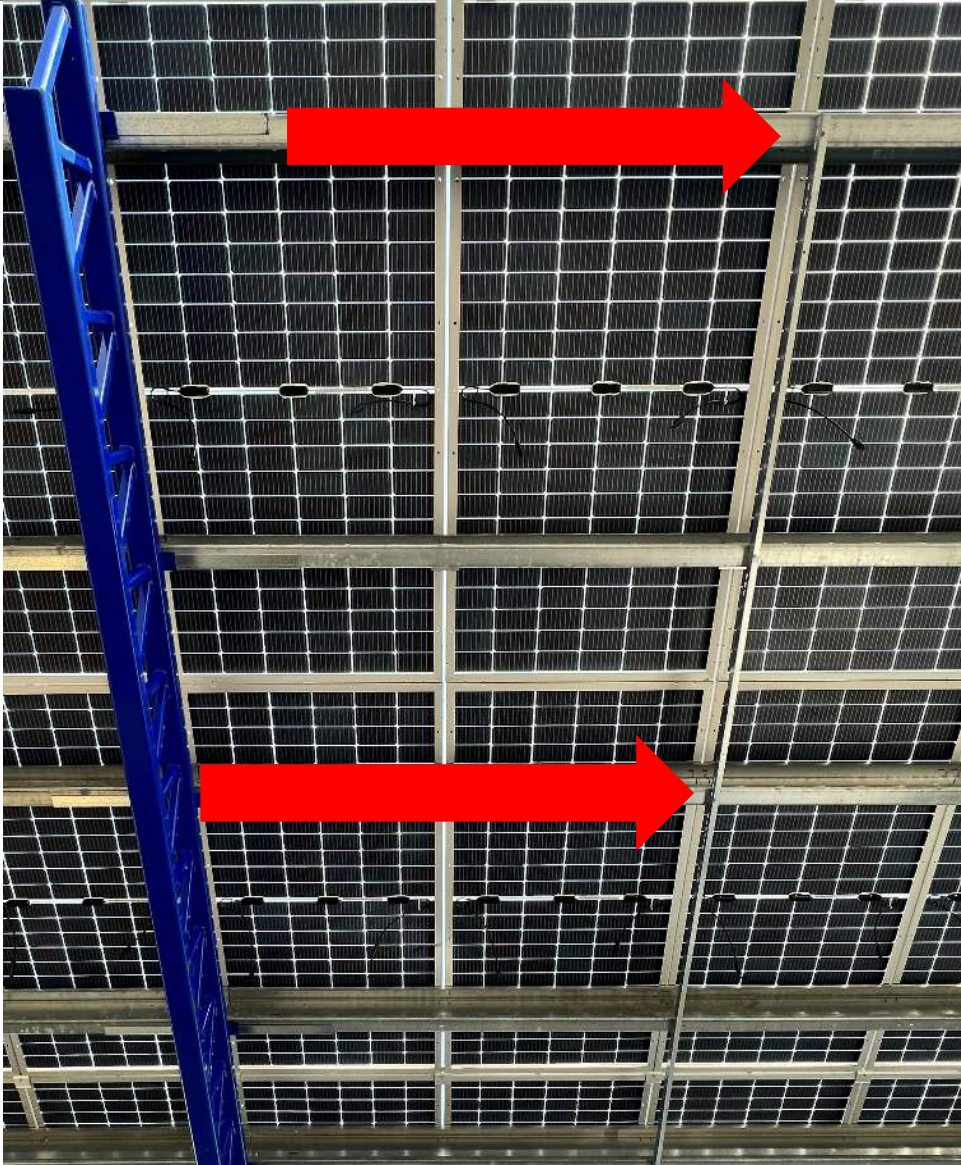
- Use $\frac{3}{4}$ " x $2\text{-}\frac{1}{2}$ " Bolts tightened to AISC snug tight + $\frac{1}{4}$ turn
- Also included: $\frac{3}{4}$ " Flat Washer, $\frac{3}{4}$ " Lock Washer, $\frac{3}{4}$ " Nut

ATTACHING OVERLAPS AND PURLINS



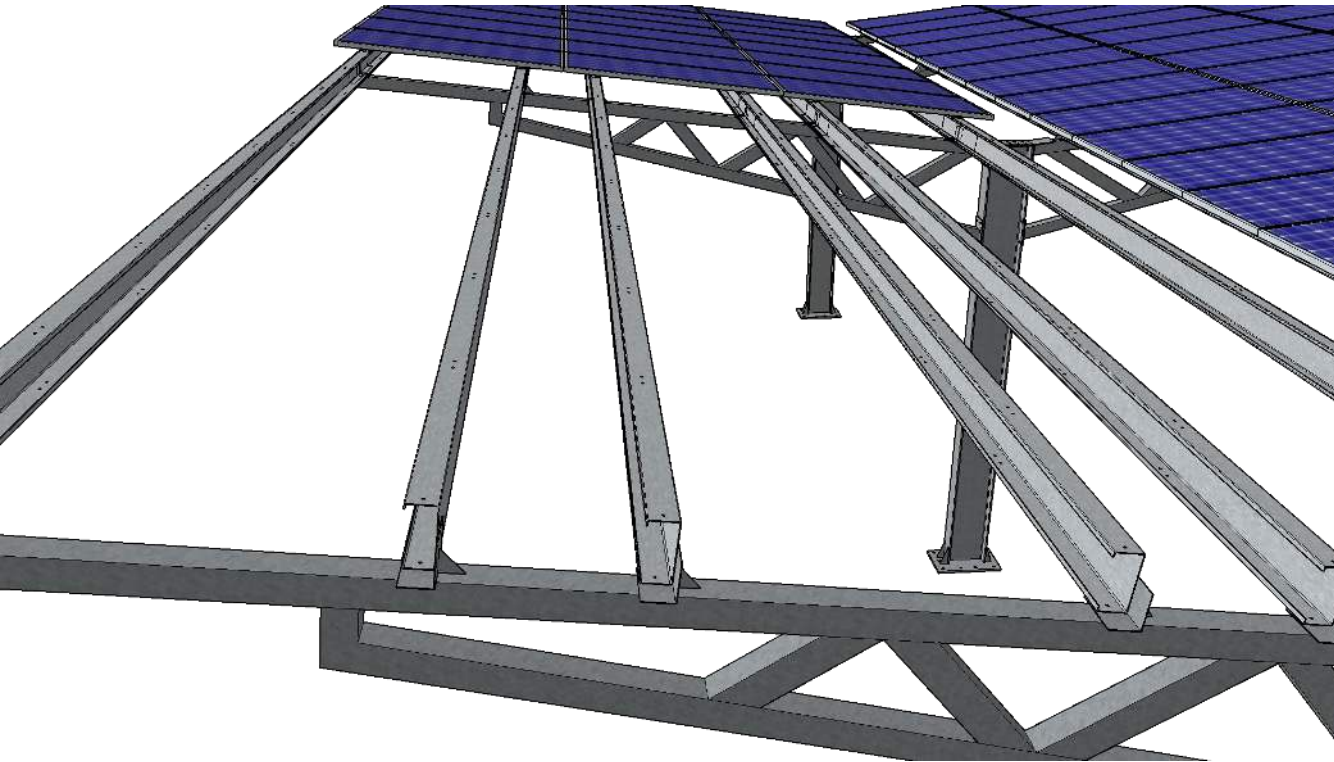
- Secure overlap plate to Purlin with (4) 5/16" Fasteners
- Secure L Plate to Overlap Plate with (4) 5/16" Fasteners

STRONGBACK ATTACHMENT



- Strongback Angle (1.5"x1.5") 3 Locations per span.
- Self tap the strongback onto the purlin at each purlin intersection

PANEL ATTACHMENT



- Self tap the Mounting Bracket onto the Purlin
- Secure the module onto the mounting bracket using 5/16" bolts