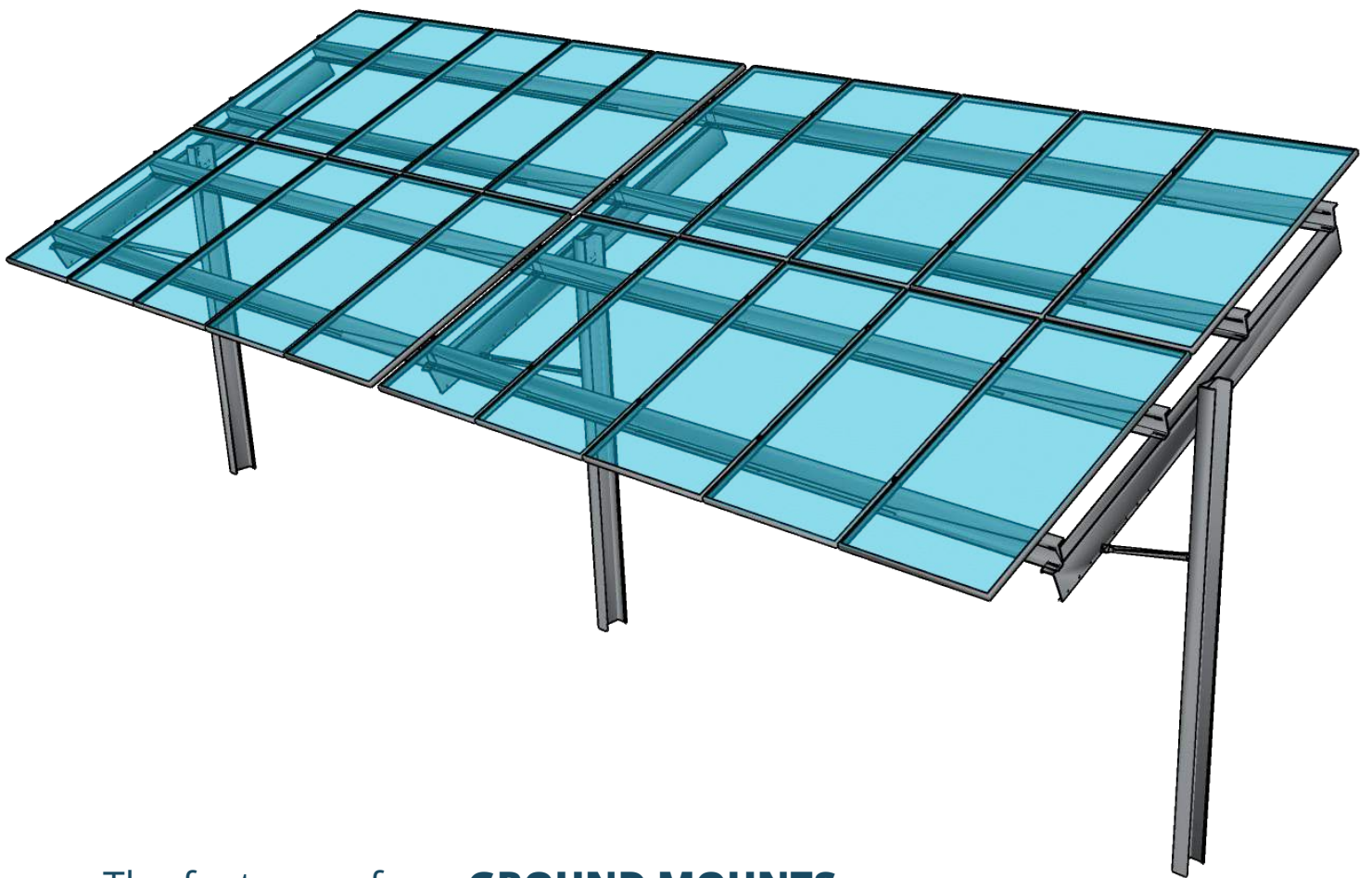


25 YEAR
WARRANTY

Solar Ground Mount Installation Manual

Step by step installation guide for Ground Mount solar racking system



The features of our **GROUND MOUNTS**

Featuring fewest components and hardware connections in the market with high flexibility for rough & variable terrain. The panel attachments feature UL 2703 & 467 grounding top-clamps and can sustain up to 150 MPH windload & 60 PSF snow load

Call for immediate estimates & layout design assistance from one of our professional sales team.



1-844-757-7225

www.SolarMounts.com

300 Woolley | Marshall | MI 49068

info@solargroundmounts.com

25 YEAR
WARRANTY

COMPONENTS



Post

G-90 pregalvanized Steel
Available in other finishes.



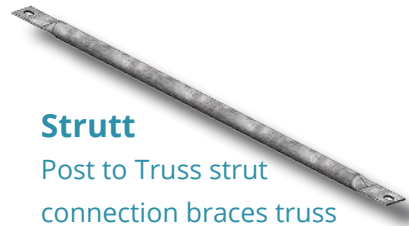
Truss

G-90 Finish with Purlin
Mounting Holes and slotted
for +1" of tolerance.



Strutt

Post to Truss strut
connection braces truss
in place.



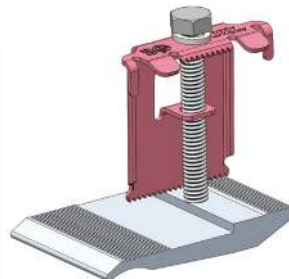
Purlin

System mounts 6 panels
long 12 panels per section.
11 Gage G90 Steel.



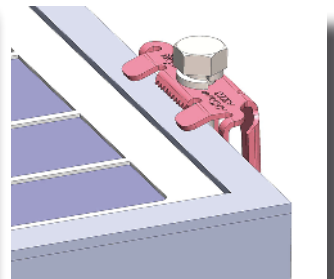
Mid Clamp

Panel to Panel Grounding Mid-Clamp
Recognized to UL 2703 and ETL listed
to UL standard 467.



End Clamp

Panel to Purlin Grounding End-Clamp
Recognized to UL 2703 and ETL listed
to UL standard 467.



1-844-757-7225

www.SolarMounts.com

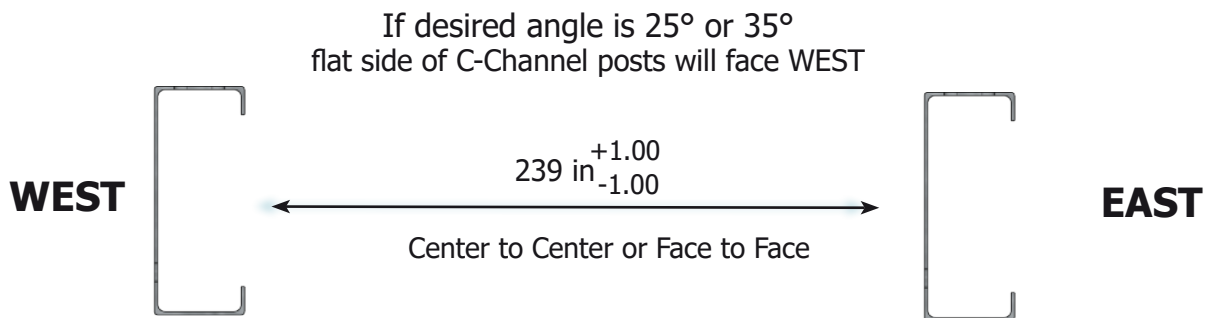
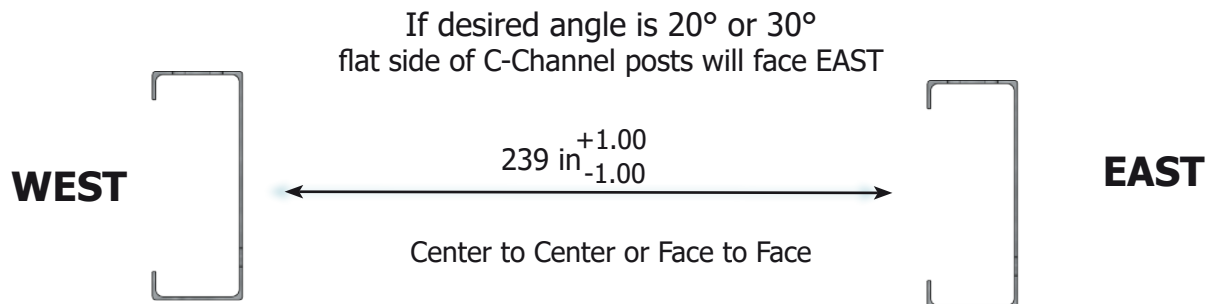
300 Woolley | Marshall | MI 49068

info@solargroundmounts.com

TOOLS REQUIRED

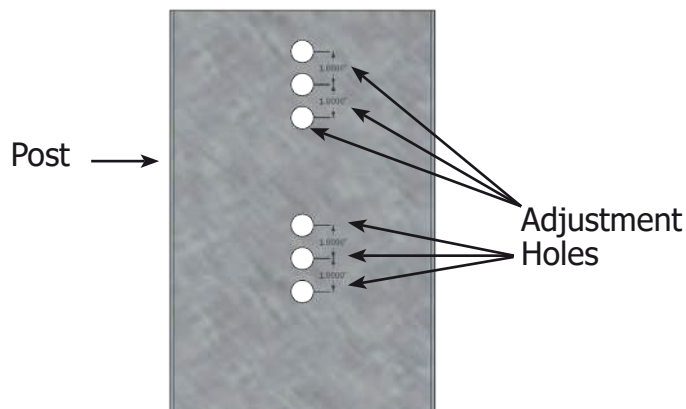
- Tape measure (20 feet)
- 15/16" Socket for 5/8" bolt
- 15/16" Combination wrench
- 3/4" Socket for 1/2" bolt
- 3/4" Combination wrench
- 1/2" Combination wrench
- 1/2" Socket for 5/16" bolt

POST ORIENTATION



ELEVATION ADJUSTMENT

The elevation of the truss can be adjusted using corresponding holes for correcting any elevation mistakes on the posts. Adjustments made by 1" Increments.



1-844-757-7225

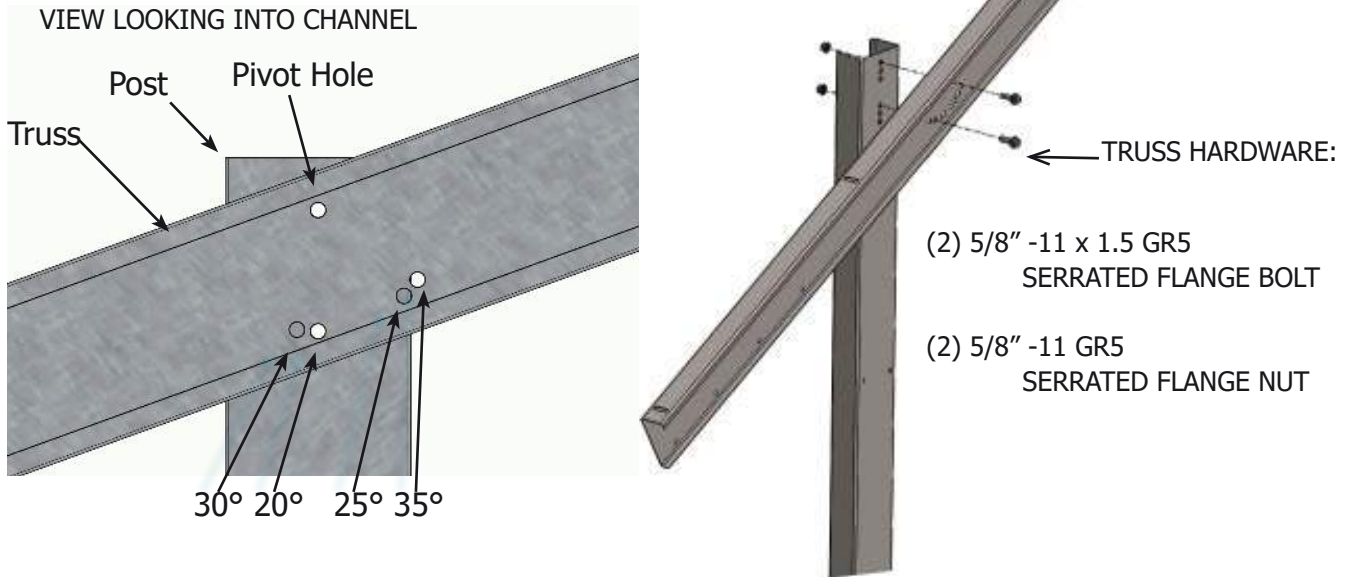
www.SolarMounts.com

300 Woolley | Marshall | MI 49068

info@solargroundmounts.com

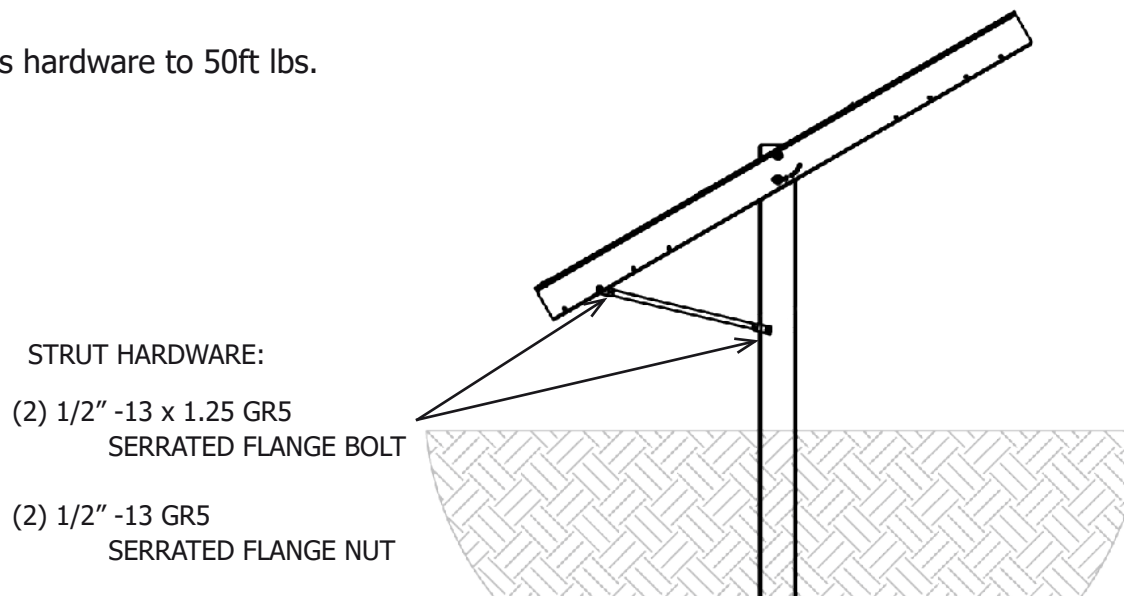
TRUSS INSTALLATION

- 1.) Fasten 5/8" bolt thru truss (SLR-TRUSS120) into ground post.
- 2.) Select proper angle desired, see illustration below.
- 3.) Fasten 5/8" bolt thru truss into ground post.
- 4.) Tighten this hardware to 60 ft lbs.



STRUT INSTALLATION

- 1.) Align Strut to the corresponding holes in truss and post based on tilt angle.
- 2.) Fasten 1/2" bolt through strut and post with washer and 1/2" nut on the inside of the post.
- 3.) Fasten 1/2" bolt through strut and truss with washer and 1/2" nut on the inside of the truss.
- 4.) Tighten this hardware to 50ft lbs.



1-844-757-7225

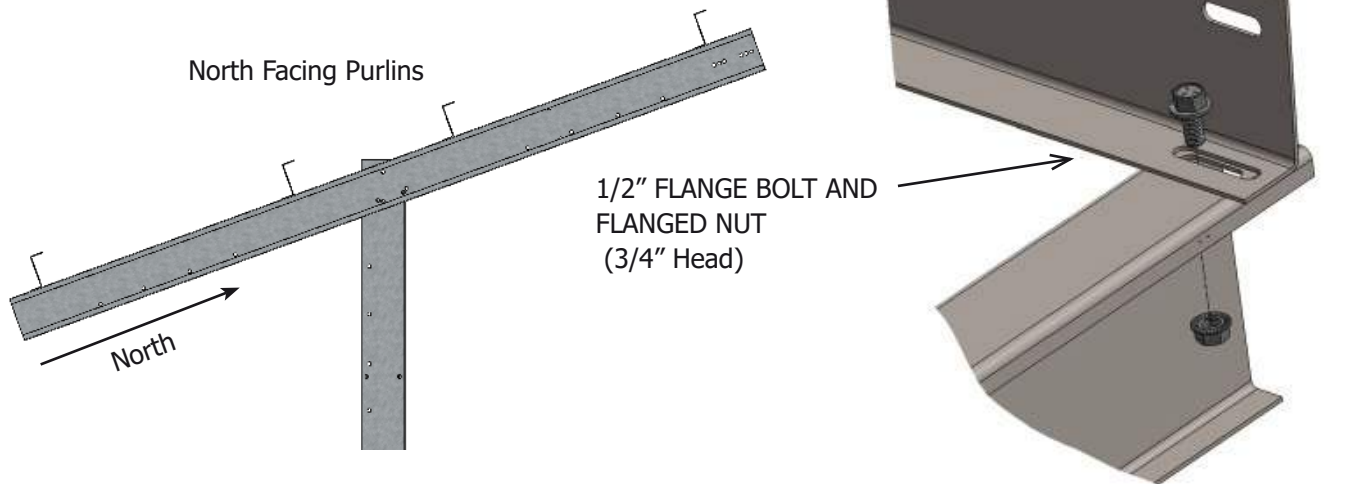
www.SolarMounts.com

300 Woolley | Marshall | MI 49068

info@solargroundmounts.com

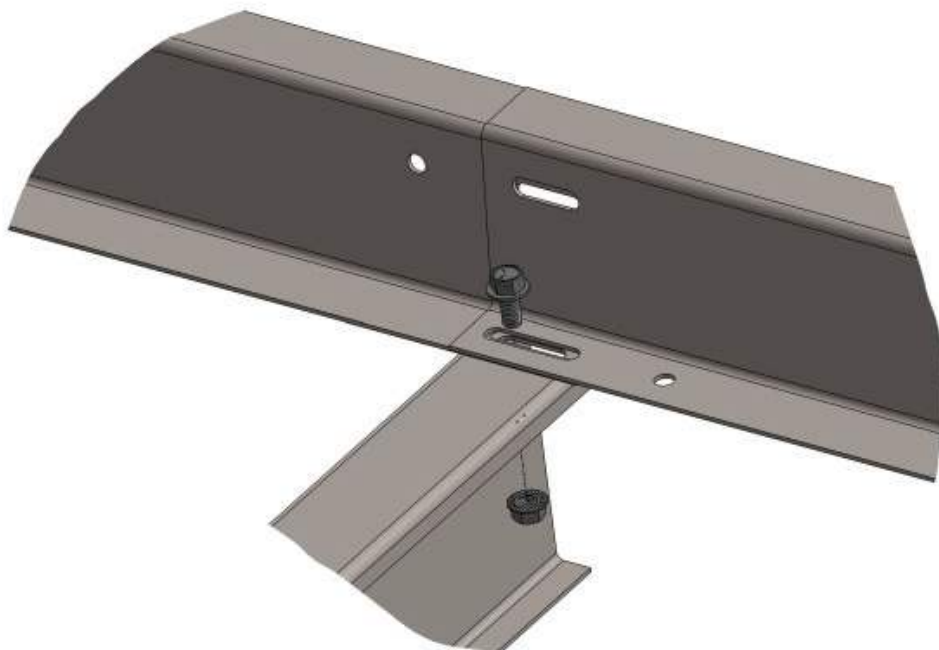
PURLIN INSTALLATION

- 1.) Attach rails to truss as pictured using 1/2" flanged bolt and flanged nut. Make sure all purlins are pointing north. (Northern Hemisphere installs.)



ADD ON SECTION INSTALLATION

- 1.) Attach additional section rails as pictured.
- 2.) Bolt in place as pictured. Tighten this hardware to 50 ft lbs.



1-844-757-7225

www.SolarMounts.com

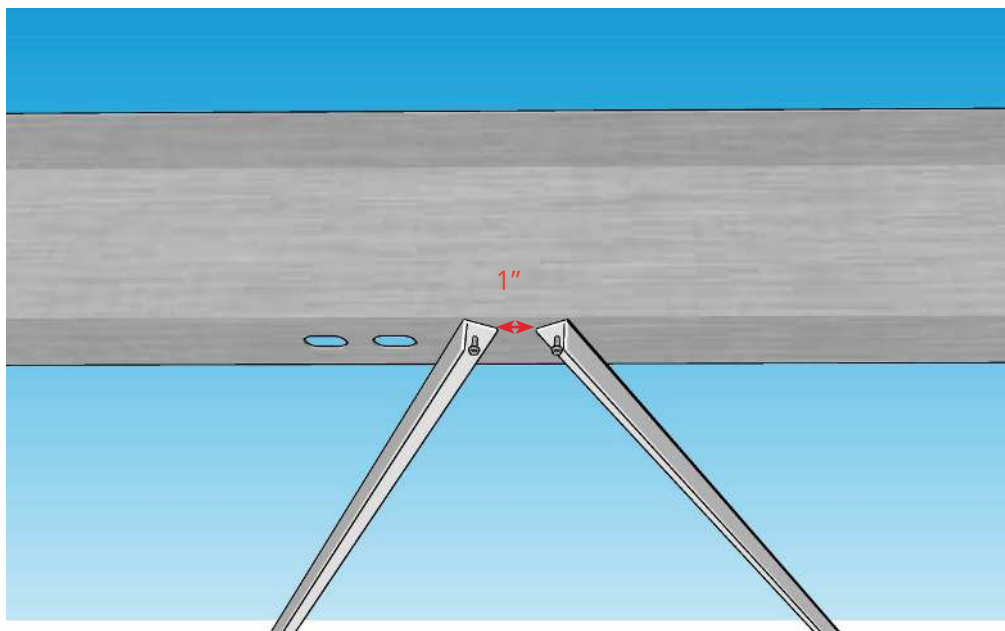
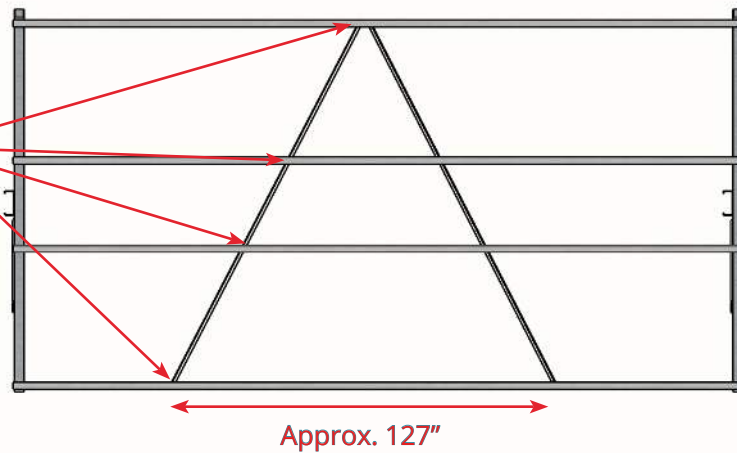
300 Woolley | Marshall | MI 49068

info@solargroundmounts.com

STRONG BACK BRACE INSTALLATION

- 1.) Attach strong backs to rack with self tapping screws. Use 1 screw per Purlin attachment.
- 2.) Strong backs are mounted approximately 127" apart on the South Purlins and approximately 1" apart on the North Purlins.

1 self tapping screw
per intersection
of strongback and
purlin



1-844-757-7225

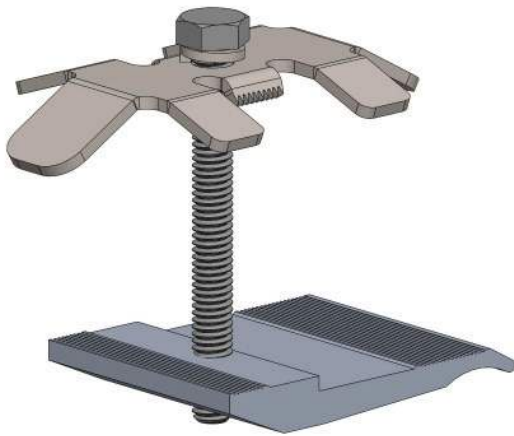
www.SolarMounts.com

300 Woolley | Marshall | MI 49068

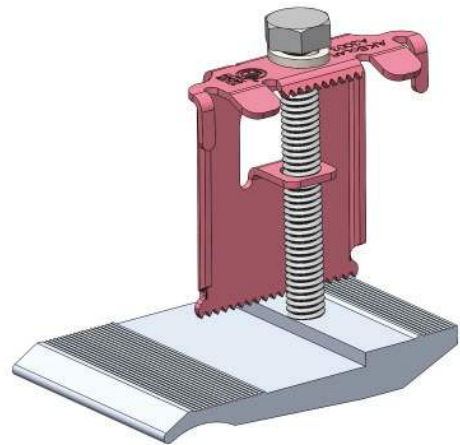
info@solargroundmounts.com

PANEL ASSEMBLY AND INSTALLATION

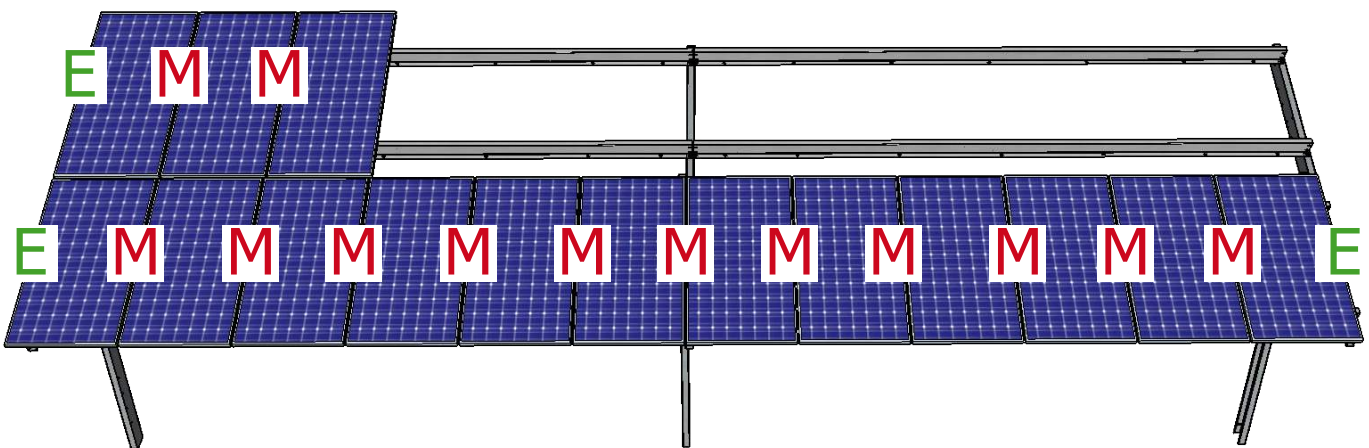
- 1.) Place panel on rails.
- 2.) Secure panel in place with end clamps.
Tighten to 12 ft lbs. Use 2 clamps per side of each panel.
- 3.) Place second panels on rails in line with first panel. Secure the two panels together with the mid clamp as pictured. Tighten to 12 ft lbs.



M = MID CLAMP ON DIAGRAM



E = END CLAMP ON DIAGRAM



1-844-757-7225

www.SolarMounts.com

300 Woolley | Marshall | MI 49068

info@solargroundmounts.com

Type of System:

SLR-GRD series_____ SLR-BGM series_____ SLR-CPT series_____ SLR-BRM series_____

Operator:

Name:_____ Phone/Email_____

Address:_____

Installer:

Name:_____ Phone/Email_____

Address:_____

Purchase Date : _____

Foundation Installation Date: _____

Initial Commissioning Date: _____

Inspection Date: _____

Final Commissioning/In Service Date: _____

Installer:

Name:_____ Phone/Email_____

Address:_____

IMPORTANT INSTRUCTIONS!

THIS FORM MUST BE FILLED OUT AND RETURNED TO SOLAR MOUNTS LLC WITHIN 4 WEEKS OF PROJECT INTERCONNECTION BY END USER TO QUALIFY FOR WARRANTY COVERAGE.

PLEASE EMAIL COMPLETED FORM TO INFO@SOLARGROUND MOUNTS.COM ATTN: WARRANTY